

McCULLOCH®

PARTNER

ILLUSTRATED PARTS LIST

TIVOLI 45-60 EUROMAC H60 PARTNER PH25

SERIAL NUMBER PREFIX 06



June 2002

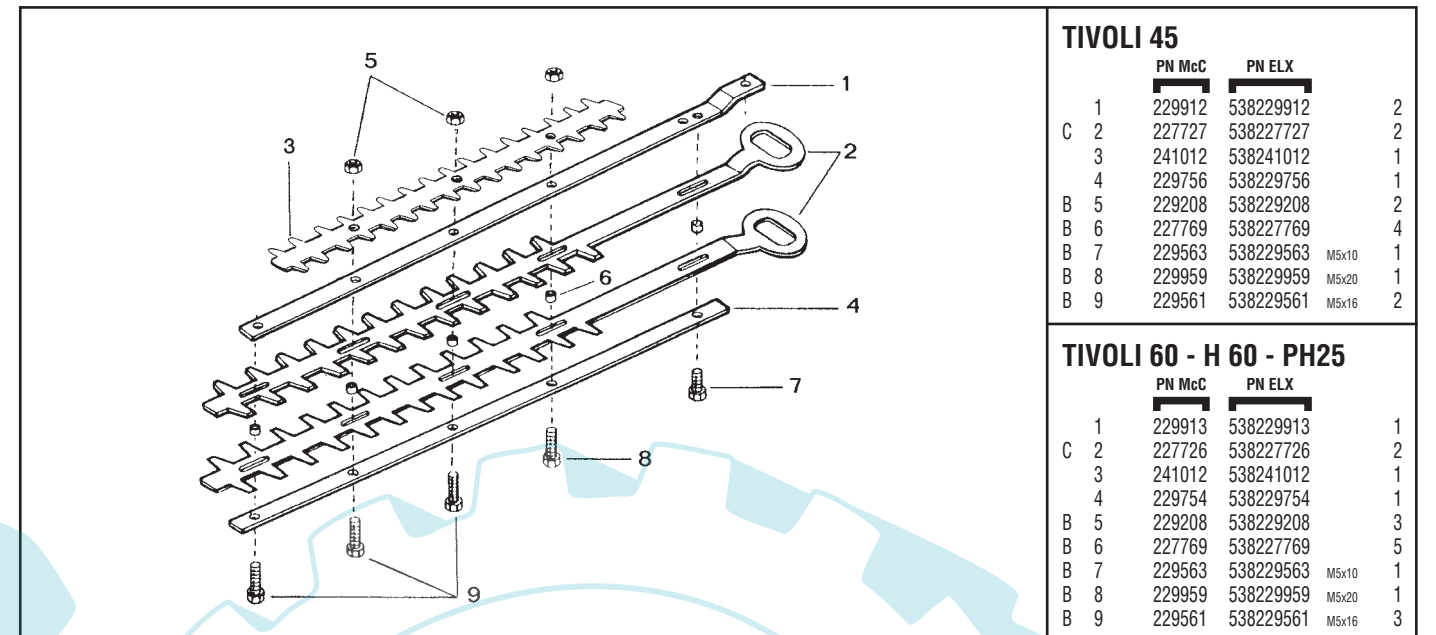
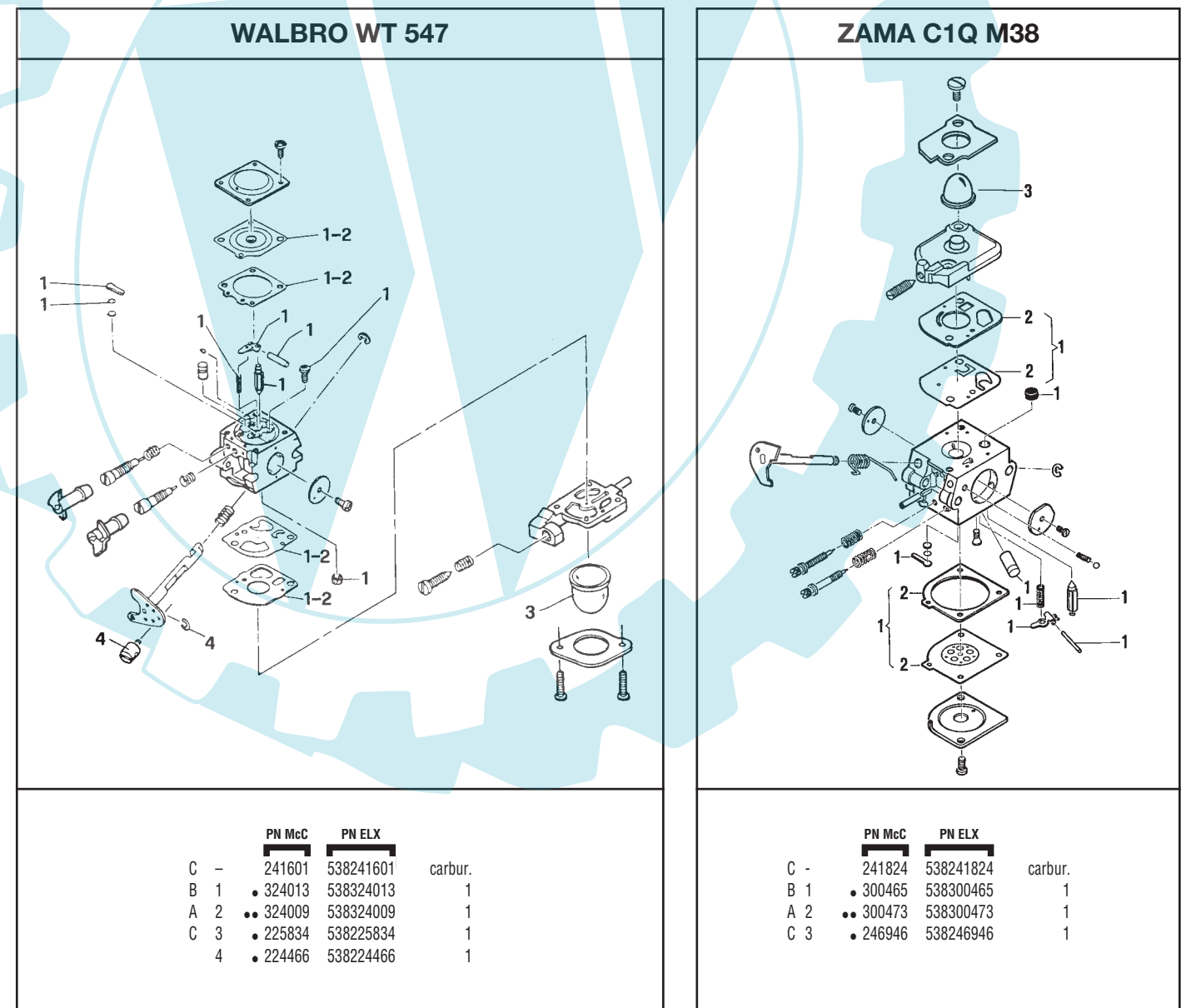


FIGURE 3

TIVOLI 45			
	PN McC	PN ELX	
1	229912	538229912	2
C 2	227727	538227727	2
3	241012	538241012	1
4	229756	538229756	1
B 5	229208	538229208	2
B 6	227769	538227769	4
B 7	229563	538229563	M5x10 1
B 8	229959	538229959	M5x20 1
B 9	229561	538229561	M5x16 2

TIVOLI 60 - H 60 - PH25			
	PN McC	PN ELX	
1	229913	538229913	1
C 2	227726	538227726	2
3	241012	538241012	1
4	229754	538229754	1
B 5	229208	538229208	3
B 6	227769	538227769	5
B 7	229563	538229563	M5x10 1
B 8	229959	538229959	M5x20 1
B 9	229561	538229561	M5x16 3

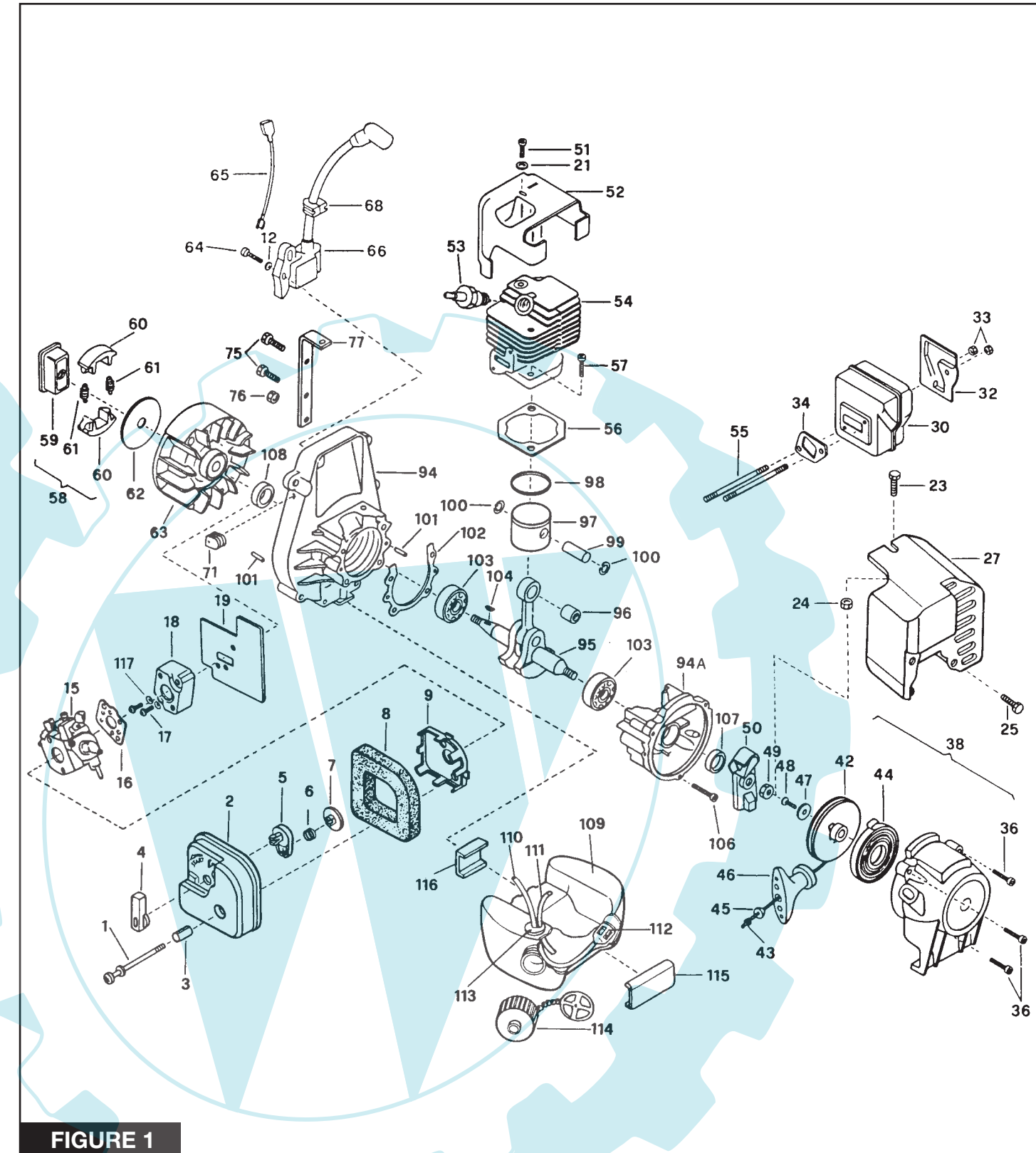
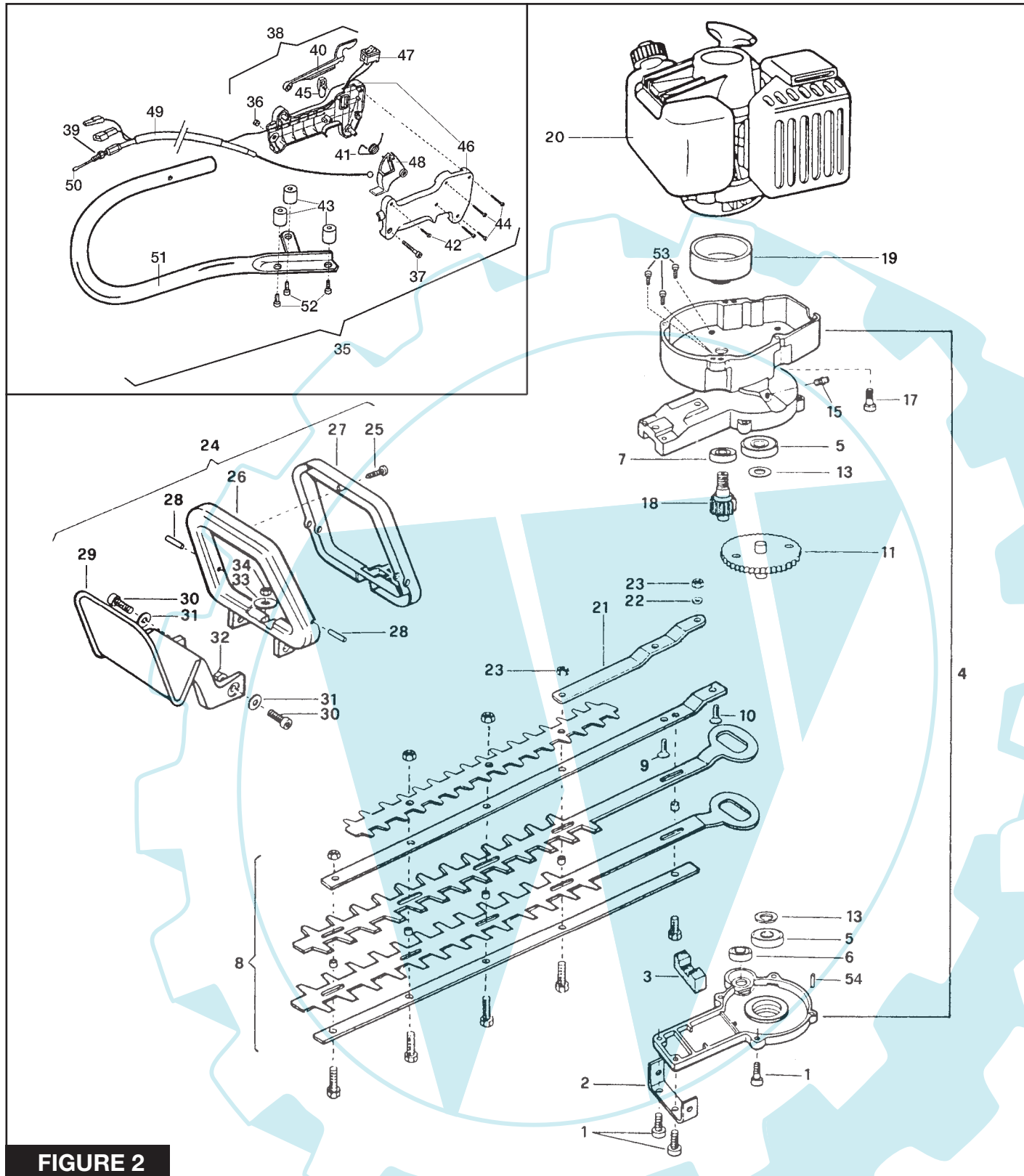


	PN McC	PN ELX	
C -	241601	538241601	carbur.
B 1	• 324013	538324013	1
A 2	•• 324009	538324009	1
C 3	• 225834	538225834	1
4	• 224466	538224466	1

	PN McC	PN ELX	
C -	241824	538241824	carbur.
B 1	• 300465	538300465	1
A 2	•• 300473	538300473	1
C 3	• 246946	538246946	1

FIGURE 4

A = high moving - alta rotazione - haute demande - große Nachfrage
 B = medium moving - media rotazione - moyenne demande - mittelmäßige Nachfrage
 C = slow moving - bassa rotazione - basse demande - wenige Nachfrage



	PN McC	PN ELX		PN McC	PN ELX		PN McC	PN ELX		PN McC	PN ELX
1	229077	538229077	M5x18	6	18	229914	538229914	1	32	235912	538235912
2	229910	538229910	1	C19	242142	538242142	1	33	235107	538235107	
C 3	229970	538229970	1	20	FIGURE 1			34	229208	538229208	
4	248113	538248113	1	21	229911	538229911	1	35	242409	538242409	
5	● 228958	538228958	2	22	236529	538236529	1	36	● 235216	538235216	
6	● 235914	538235914	1	23	229208	538229208	2	37	● 235804	538235804	
7	● 235897	538235897	1	24	225627	538225627	1	38	● 242404	538242404	
8	FIGURE 3			25	● 227251	538227251	1	39	● 229207	538229207	
9	228924	538228924	M5x20	1	26	● 229761	538229761	1	40	● 229820	538229820
10	229972	538229972	M5x25	1	27	● 229762	538229762	1	41	● 240091	538240091
C11	229919	538229919	1	28	● 229772	538229772	2	42	● 240618	538240618	
13	235164	538235169	2	29	229760	538229760	1	C43	● 235987	538235987	
15	228861	538228861	1	30	235214	538235214	M6x20	2	44	● 240833	538240833
17	235801	538235801	M4x16	4	31	236936	538236936	2	45	● 241292	538241292

	PN McC	PN ELX		PN McC	PN ELX		PN McC	PN ELX		PN McC	PN ELX
1	227274	538227274	M5x60	2	24	235431	538235431	1	50	241784	538241784
C 2	241677	538241677	1	25	241976	538241976	M4x12	1	51	236381	538236381
3	241705	538241705	2	27	229103	538229103	1	52	241757	538241757	
4	235819	538235819	1	26	235612	538235612	3	A 53	92879	538092879	
5	235820	538235820	1	30	242131	538242131	1	C 54	302000	538302000	
6	235822	538235822	1	C 34	241799	538241799	1	55	241804	538241804	
7	241602	538241602	1	33	235642	538235642	2	B 56	241598	538241598	
B 8	241640	538241640	1	36	241963	538241963	M4x22	3	57	236933	538236933
9	241704	538241704	1	C 38	241614	538241614	1	B 58	241792	538241792	
12	235248	538235248	2	B 42	● 241620	538241620	1	59	● 241789	538241789	
C 15	FIGURE 4			A 43	● 241746	538241746	1	60	● 241790	538241790	
A 16	241600	538241600	1	B 44	● 241619	538241619	1	A 61	● 241794	538241794	
17	235806	538235806	M5x20	2	45	● 235612	538235612	1	62	241604	538241604
C 18	241750	538241750	1	46	241778	538241778	1	63	241796	538241796	
B 19	241643	538241643	1	47	● 241703	538241703	1	64	235806	538235806	
21	235248	538235248	1	48	● 300294	538300294	1	65	241606	538241606	
23	241976	538241976	M4x12	1	49	241624	538241624	1	C 66	241749	538241749

A = high moving - alta rotazione - haute demande - große Nachfrage B = medium moving - media rotazione - moyenne demande - mittelmäßige Nachfrage C = slow moving - bassa rotazione - basse demande - wenige Nachfrage